

## GENERAL CHARACTERISTICS

The vacuum pressure switches VSV series use, as sensitive element, a diaphragm.

An electrical contact, NO, NC or SPDT is turned ON when the set value is reached. The adjusting screw is mounted on the head of the instruments, you can set the calibration value, within the entire measuring range.

Appropriate mechanical stops protect the electrical contact from excess of pressure.

The electrical connections, fast-on type, or screw terminals may be protected by protection cap IP54.

These pressure switches are used in pneumatic equipment, in the industrial plants, pumps, etc..



K4 F



K4 O



F4 P3

- Vacuum control from -200 to -900 mbar.
- Easy to use and adjust.
- Easy to install.

## SETTING RANGES

Tab.1

Diaphragm	Tolerance value	P max	T max (°)	Code
mbar	mbar	bar	°C	
-150 ÷ -800	± 40	25	-20/+80	<b>800</b>

(•) Reference to NBR diaphragm

Factory set - Decreasing

**00D**

Factory set - Increasing

**00U**

► The set point value is shown in description master data ◀

## TECHNICAL DATA

Tab.2

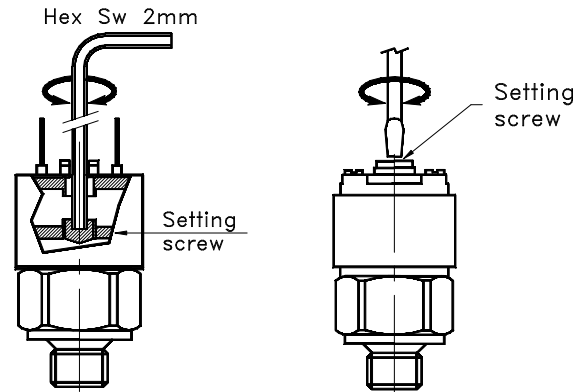
	Description	S Standard		Code	
		R On request			
Body	Brass	S	-	(-)	
	Stainless steel AISI-316	-	R	X	
Diaphragm and seals		°C			
	NBR	-20/+80	S	-	(-)
	EPDM	-20/+90	-	R	E
	VITON	-20/+150	-	R	V
	PTFE	-30/+200	-	R	T

	Description	S Standard		Code	
		R On request			
Process connection	1/8" M - UNI 228/1	-	R	<b>0</b>	
	1/8" M - UNI 7/1	-	R	<b>2</b>	
	1/8" M - NPT	-	R	<b>4</b>	
	1/4" M - UNI 7/1	-	R	<b>6</b>	
	1/4" M - UNI 228/1	S	-	<b>1</b>	
	1/4" M - NPT	-	R	<b>5</b>	
	M10x1 - Taper	-	R	<b>3</b>	
Contact	250 VAC 0,5A	NA	S	-	<b>K4A</b>
	48 VDC 0,2A	NC	S	-	<b>K4C</b>
	250VAC 0,5A	SPDT	-	R	<b>F4</b>
	48 VDC 0,2A				
Electrical output	Faston 6,3 x 0,8 mm	NA-NC	S	-	<b>F</b>
		SPDT	-	R	<b>P3</b>
	Screw connection	NA-NC	S	-	<b>O</b>
Protection	-	S	-	<b>IP00</b>	
	IP54	-	R	<b>P1</b>	
-	Mechanical life	10 <sup>6</sup> cicli	S	-	-
-	Switching frequency	90 cycle/min	S	-	-

### ADJUSTMENT

To adjust the set point, turn the screw located into the head of the pressure switch.

- Clockwise = Increase (+)
- Counterclockwise = decrease (-)



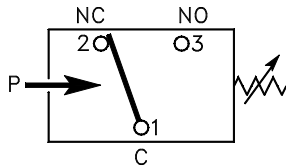
### WIRING

Tab.3



NO K4A

NC K4C

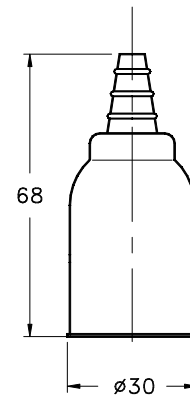


SPDT

F4

### PROTECTION - on request

Tab.4



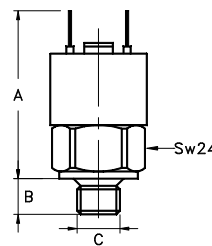
IP54

P1

### DIMENSIONS mm.

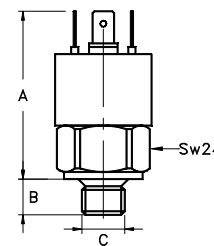
Tab.5

Terminals							C	Code
Faston			Screw		A	B		
K4A	K4C	F4	K4A	K4C				
47	9	47	9	42	9	1/8" M - UNI 228/1	0	
47	9	47	9	42	9	1/8" M - UNI 7/1	2	
47	9,5	47	9,5	42	9,5	1/8" M - NPT	4	
47	14,4	47	14,4	42	14,4	1/4" M - UNI 7/1	6	
47	10,5	47	10,5	42	10,5	1/4" M - UNI 228/1	1	
47	14,4	47	14,4	42	14,4	1/4" M - NPT	5	
47	9	47	9	42	9	M10x1 - Taper	3	



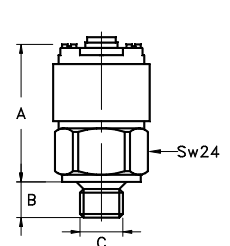
Faston - IP00

K4A - K4C F



Faston - IP00

F4 P3



Screw terminal IP00

K4A - K4C O

### NOMENCLATURE

VSV	K4A	800	F	(-)	(-)	0	IP00
•							
	•						
		•					
			•				
				•			
					•		
						•	
							•
P1	Protection cap - IP54						

-	Type
Tab.2-3	Contact type and wiring
Tab.1	Adjustable range or Factory set point
Tab.2-5	Electrical output - Terminals type
Tab.2	Body material
Tab.2	Diaphragm material
Tab.2-5	Process connection
Tab.2	Degree of protection
Tab.4	Accessory on request